

7551 EVO

Multiple position limit switch



Multiple position limit switch designed to control the movement of overhead travelling cranes, hoists and complex machine tools. The choice of materials and technical solutions adopted enable use in harsh operating conditions.

FEATURES

- Designed to guarantee excellent performance in the most challenging operating conditions.
- Rods with movement in 16 binary positions every 90°.
- 4 fixing holes.
- 4 relays with binary output code.
- Position resetting through a hardware signal.
- 1 relay output that can be used as a diagnostic line for error detection.
- The detected position is maintained even after an ON and OFF cycle.
- Mechanical life of switches: 1 million operations.
- Operation frequency: 3600 operations/hour max.
- IP protection degree: 7551 Evo is classified IP66 with specific cable clamp M20.

- Extreme temperature resistance: -30°C to +70°C.
- It features die-cast aluminum alloy enclosure, with bushings made of sinterized material and head made of zama to resist any violent impact, chemical aggression and rust and reduce the need for routine maintenance operation on the head.
- All materials and components used are wear resistant and guarantee protection of the unit against water and dust.

CERTIFICATIONS

- CE marking.

INTERNAL VIEW



CERTIFICATIONS

Conformity to Community Directives	2014/35/UE Low Voltage Directive
	2006/42/CE Machinery Directive
Conformity to CE Standards	EN 60204-1 Safety of machinery - Electrical equipment of machines
	EN 60947-1 Low-voltage switchgear and controlgear
	EN 60947-5-1 Low-voltage switchgear and controlgear - Control circuit devices and switching elements - Electromechanical control circuit devices
Markings and homologations	EN 60529 Degrees of protection provided by enclosures
	CE

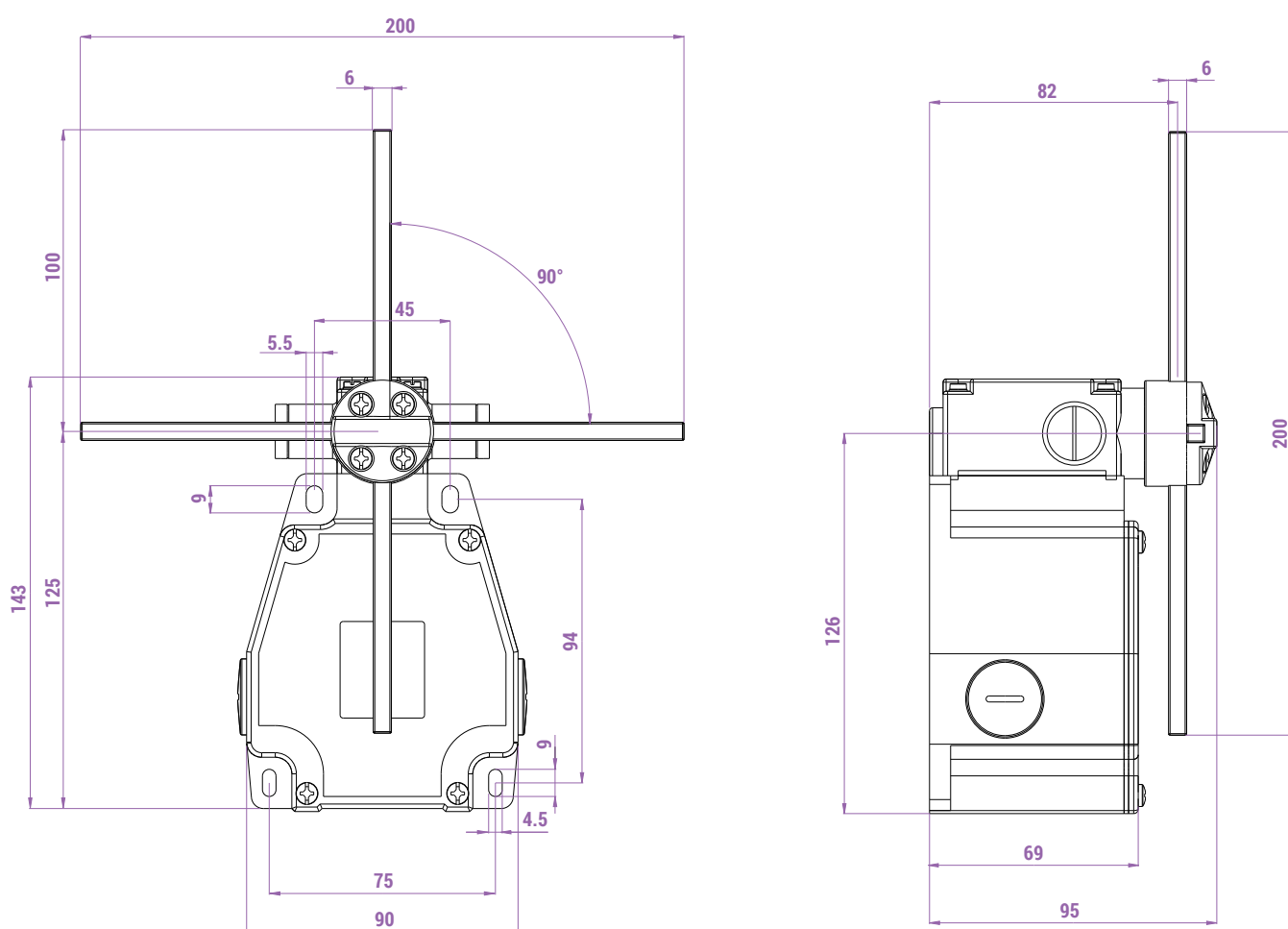
GENERAL TECHNICAL SPECIFICATIONS

Ambient temperature	Storage -30°C/+70°C
	Operational -30°C/+70°C
IP protection degree	IP66 max. with specific cable clamp M20
Insulation category	Class I
Operation frequency	3600 operations/hour max
Cable entry	Cable clamp M20

TECHNICAL SPECIFICATIONS OF THE RELAIS

Utilisation category	AC 14
Rated operational current	0.5 A
Rated operational voltage	125 Vac
Rated thermal current	3 A
Rated insulation voltage	500 Vac
Mechanical life	1x10 ⁶ operations
Connections	Spring terminals
Wires	22 AWG

OVERALL DIMENSIONS (mm)



BINARY CODE MAP

Relay 1	Relay 2	Relay 3	Relay 4	CW rotation	CCW rotation
Open	Open	Open	Open	Zero	Zero
Close	Open	Open	Open	90	-1350
Open	Close	Open	Open	180	-1260
Close	Close	Open	Open	270	-1170
Open	Open	Close	Open	360	-1080
Close	Open	Close	Open	450	-990
Open	Close	Close	Open	540	-900
Close	Close	Close	Open	630	-810
Open	Open	Open	Close	720	-720
Close	Open	Open	Close	810	-630
Open	Close	Open	Close	900	-540
Close	Close	Open	Close	990	-450
Open	Open	Close	Close	1080	-360
Close	Open	Close	Close	1170	-270
Open	Close	Close	Close	1260	-180
Close	Close	Close	Close	1350	-90