

BASE EVO

Electronic limit switch



Compact electronic limit switch, equipped with 4 electronic cams. It is used in a variety of industrial sectors, from automation to robotics, from medical to marine, from entertainment to automotive.

FEATURES

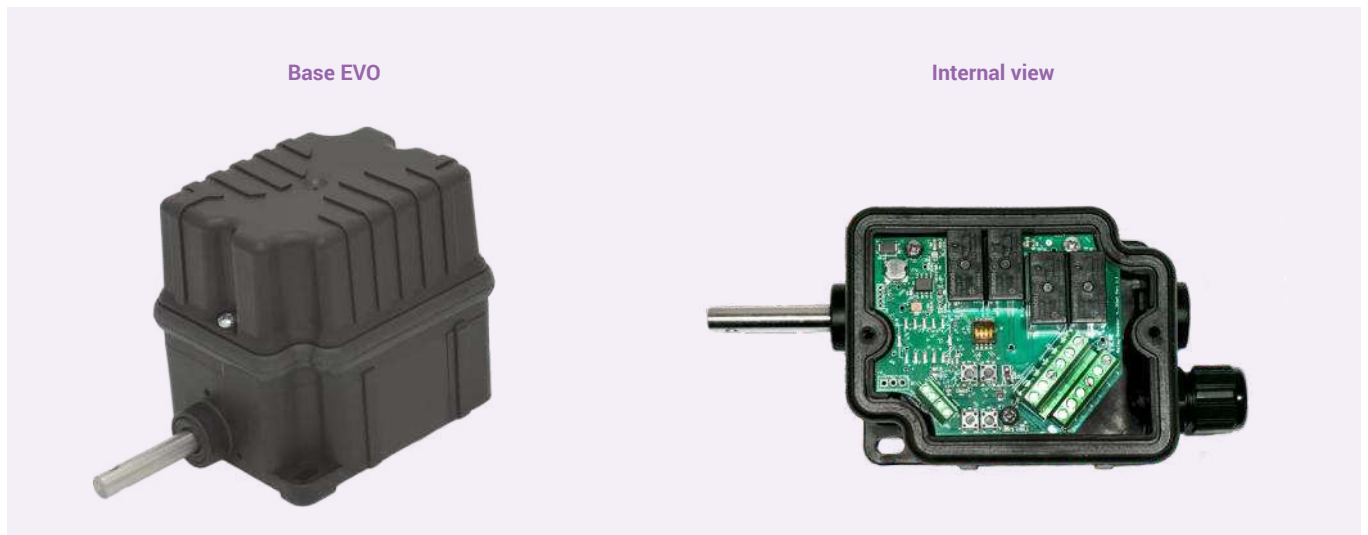
- Base EVO is an electronic limit switch with 4 relays emulating up to 4 cams, with the possibility of 6 configurations for each electronic cam (totalling 24 settings per limit switch) and unconstrained programming.
- Maximum precision and extremely low hysteresis.
- Single turn measuring resolution guaranteed by 4096 points per revolution (12 bit) with accuracy $\pm 0,5\%$.
- Possibility to work without PLC or dedicated programming software.
- IP protection degree: Base EVO is classified IP65, IP66, IP67 and IP69K.
- Extreme temperature resistance: da -25°C a $+80^{\circ}\text{C}$.
- No need for maintenance and maximum reduction of installation time.
- Possibility of reducing stock and purchase product codes.
- Featuring technopolymer housing and non-magnetic stainless steel AISI 303 shaft.
- High quality materials and components guarantee maximum durability, precision, repeatability even in the most extreme conditions and great stability against vibrations.

OPTIONS

- It is completely compatible and can be integrated into systems that use Base rotary limit switches.
- Equipped with 4 configurable relays 24/250 Vac, 3 / 5A, NC or NO.
- Safety line capable of signalling possible "faults" to the system in case of damage (optional function).
- Available with ready-to-use configuration or with the possibility of on-site configuration by the customer.
- Dedicated cable clamp.
- Available with flanges, pinions and couplings.
- Plates with universal adapters for replacing existing systems.

CERTIFICATIONS

- CE marking.



CERTIFICATIONS

Conformity to Community Directives	2014/30/UE Electromagnetic compatibility
	2006/42/CE Machinery Directive
	2014/35/UE Low Voltage Directive (LVD)
Conformity to CE Standards	EN 60204-1 Safety of machinery - Electrical equipment of machines
	EN 60947-1 Low-voltage switchgear and controlgear
	EN 60947-5-1 Low-voltage switchgear and controlgear - Control circuit devices and switching elements - Electromechanical control circuit devices
	EN 60529 Degrees of protection provided by enclosures
Markings and homologations	EN 61000-6-2, EN 61000-6-4, EN 61000-4-2, EN 61000-4-3, EN 61000-4-4, EN 61000-4-5, EN 61000-4-6 Electromagnetic compatibility (pending)
	CE

GENERAL TECHNICAL SPECIFICATIONS

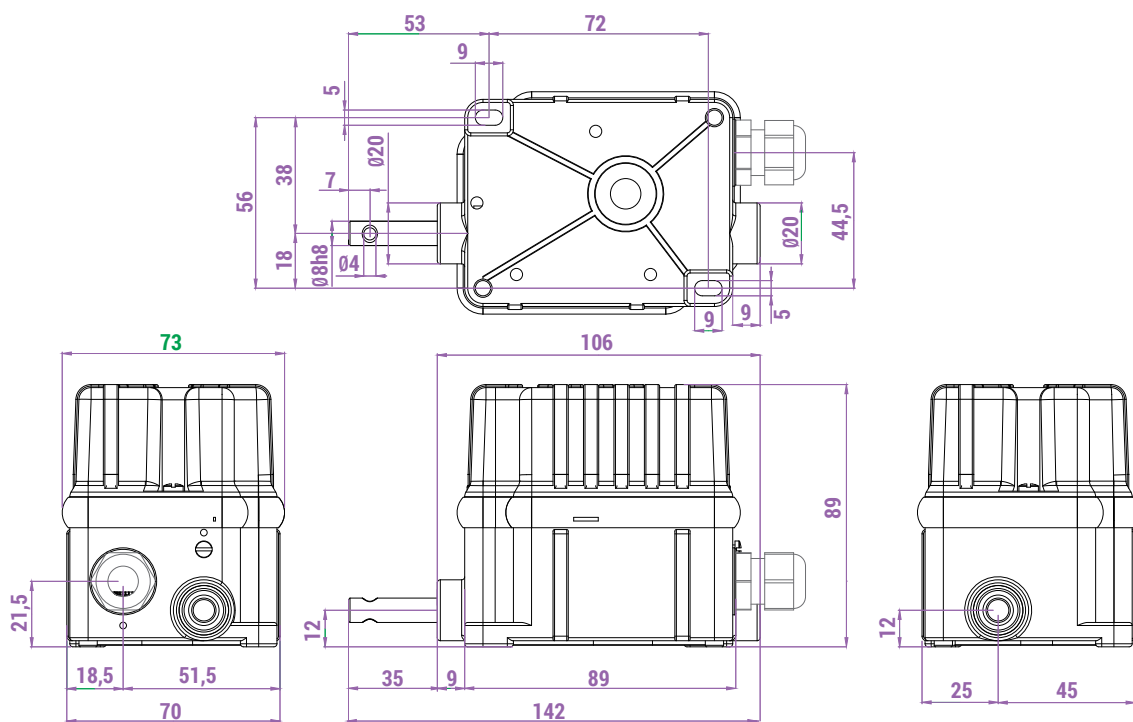
Ambient temperature	Storage -25°C/+80°C
	Operational -25°C/+80°C
IP protection degree	IP65, IP66, IP67, IP69K
Insulation category	Class II
Maximum rotation speed	800 rpm
Cable entry	Cable clamp M16

ELECTRICAL SPECIFICATIONS

Power supply	9 ... 30 Vdc
Consumption	80 mA max
Single-turn resolution	12 bit (4096 points per revolution)
Accuracy	+/- 0,5%
Reverse polarity and short-circuit protection	Yes
Relais	2 or 4 configurable relais 24/250 Vac, 3/5A, NC or NO

OVERALL DIMENSIONS (mm)

Base EVO



Base EVO with flange

